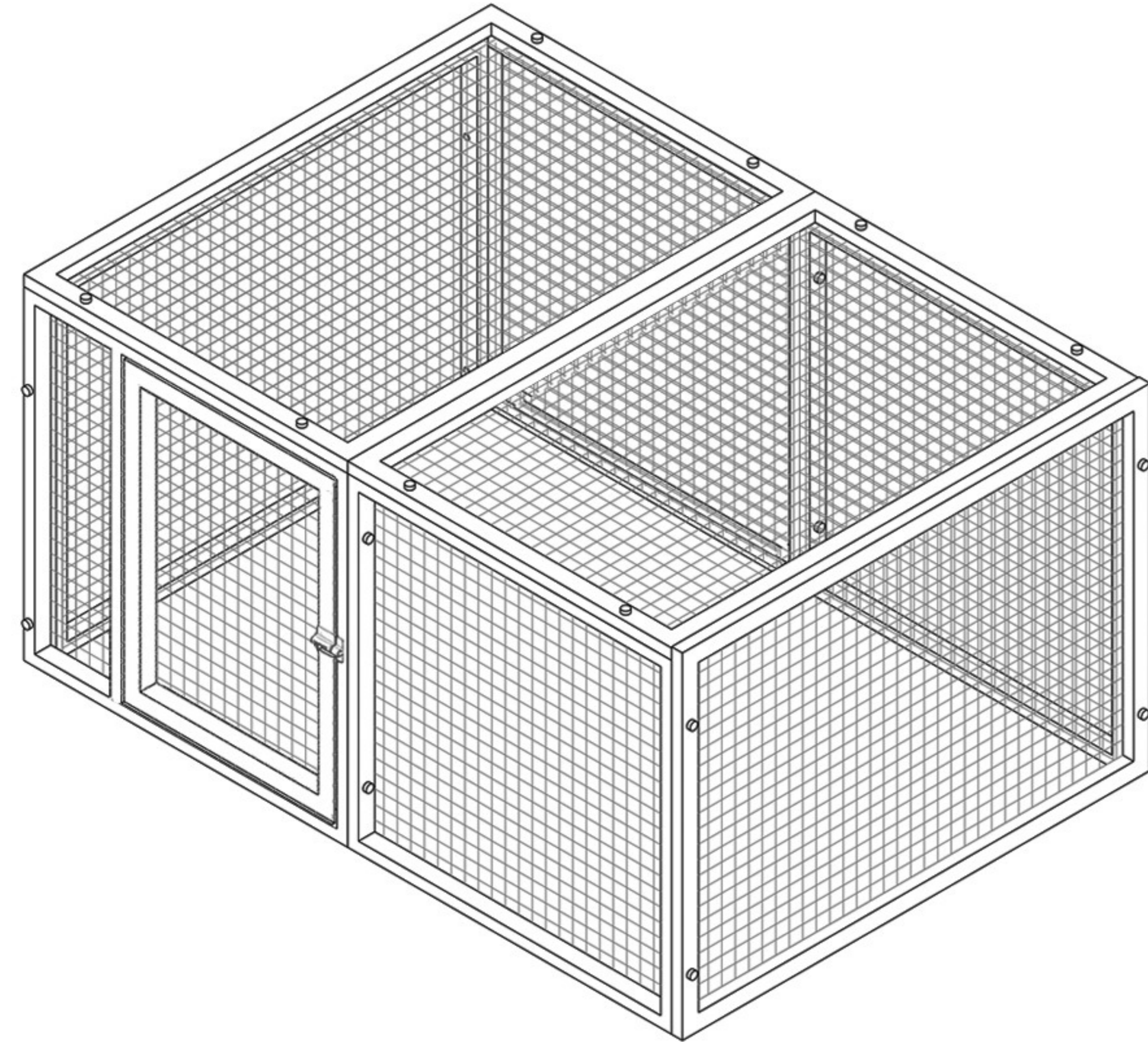
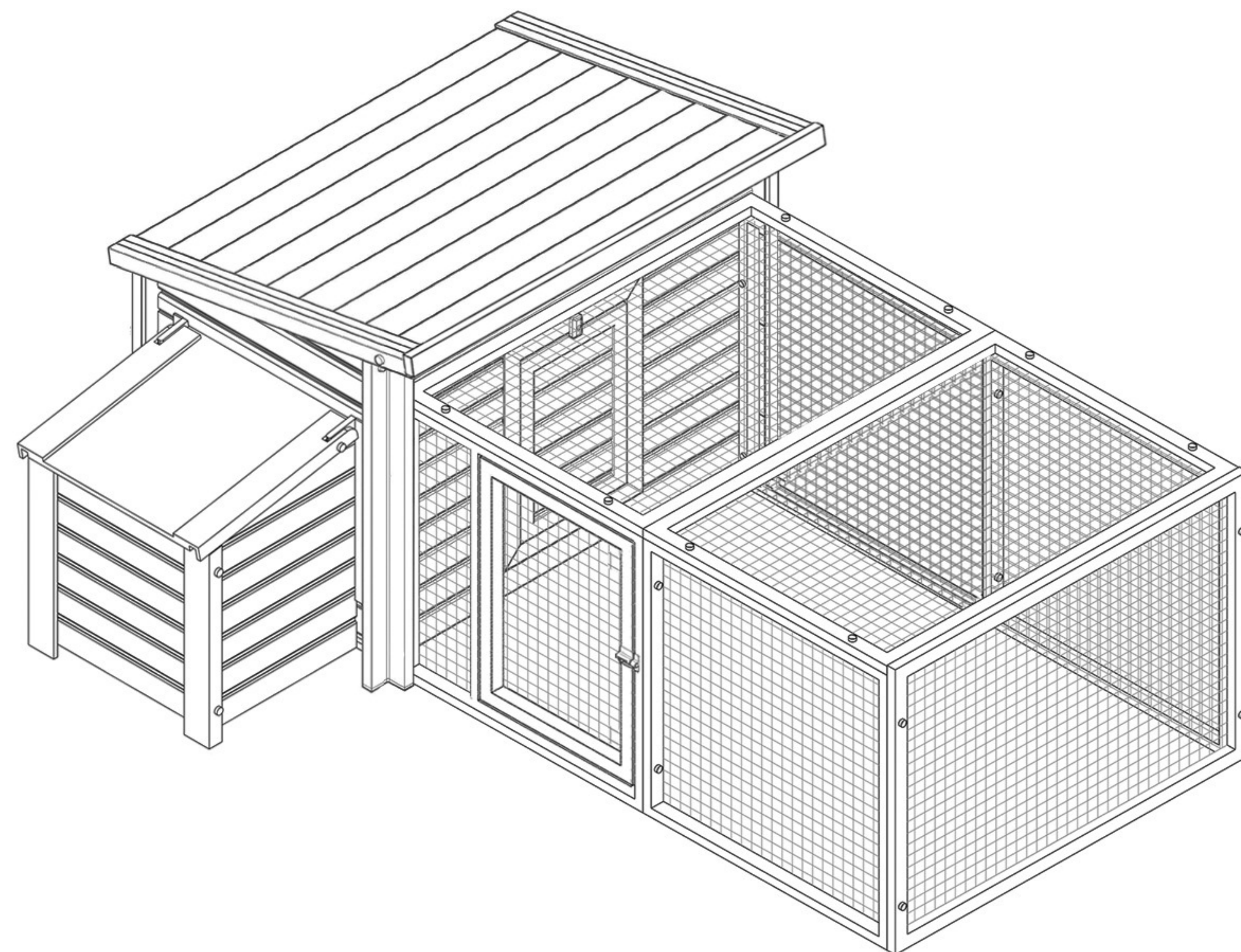


Completion: Fontana Pen as a Stand Alone Pen.

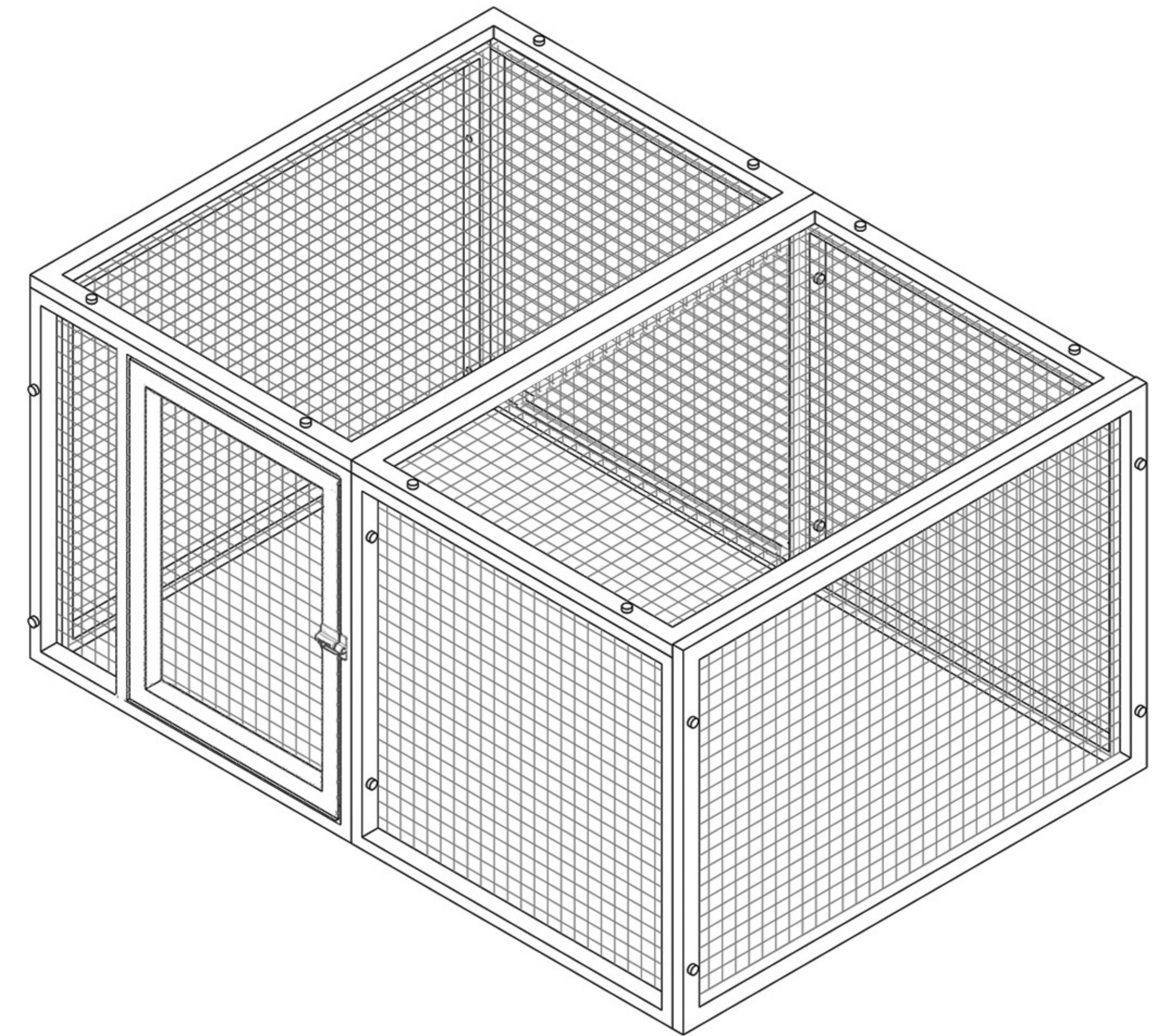


Completion: Fontana Pen attached to Fontana Barn.



ecoChoice™ Fontana Chicken and Rabbit Pen

ITEM# ECHK103-P



Congratulations on your purchase!

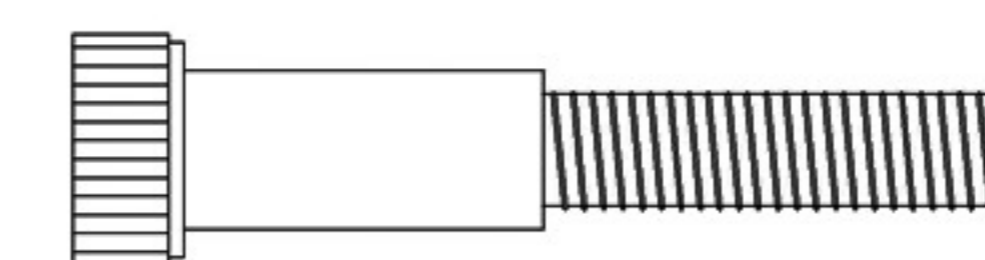
Before you Start – check for damaged or missing parts, Visit www.newagepet.com, Contact us, to order replacement parts.

Part List:

Side Panels (P1, P2 & P4)

Side Panel With Door (P5)

2 3/8" Thumb Screws (A) x 13



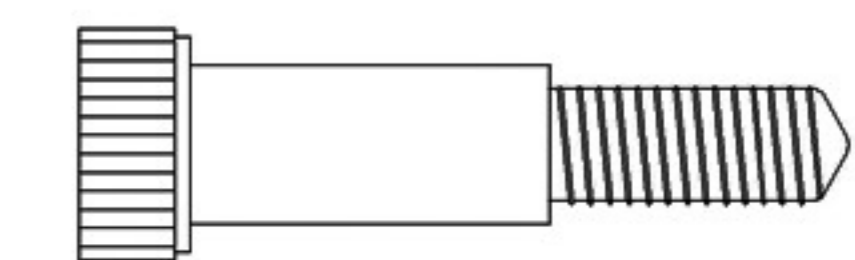
1 9/16" Thumb Screws (C) x 3



End Panels (P3 & P8)

Top Panels (P6 & P7)

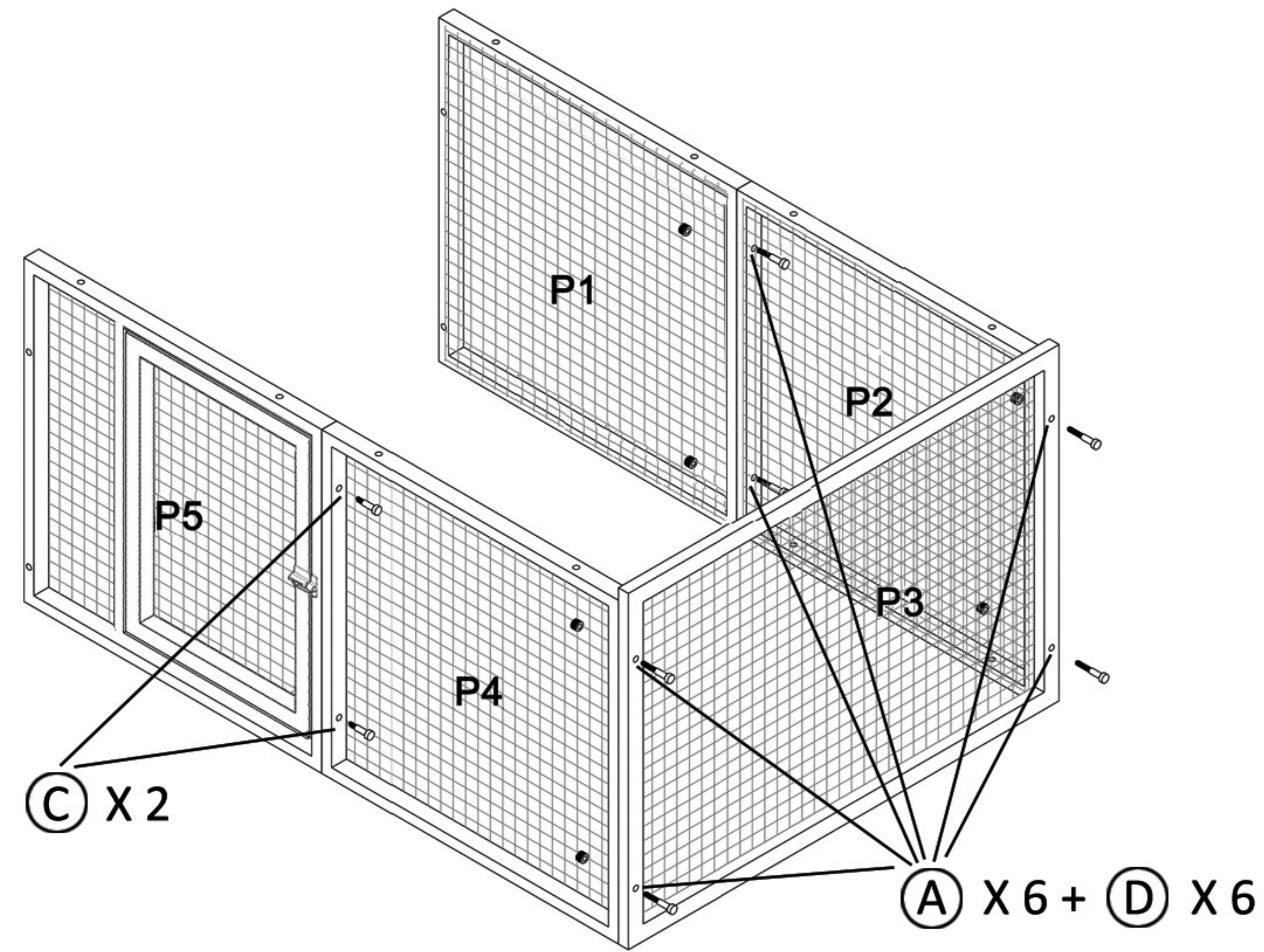
1 3/4" Thumb Screws (B) x 4



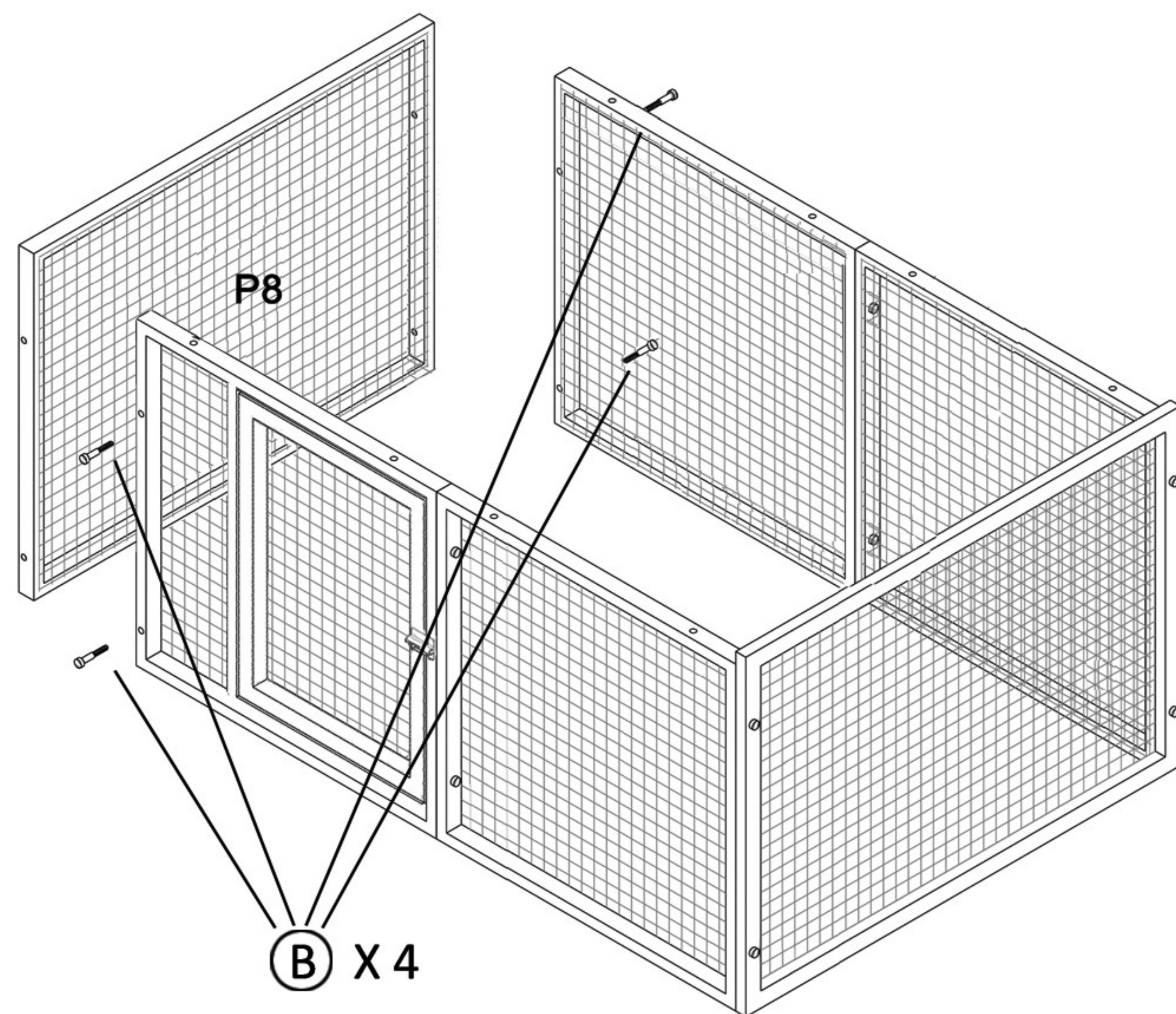
Nuts (D) x 13



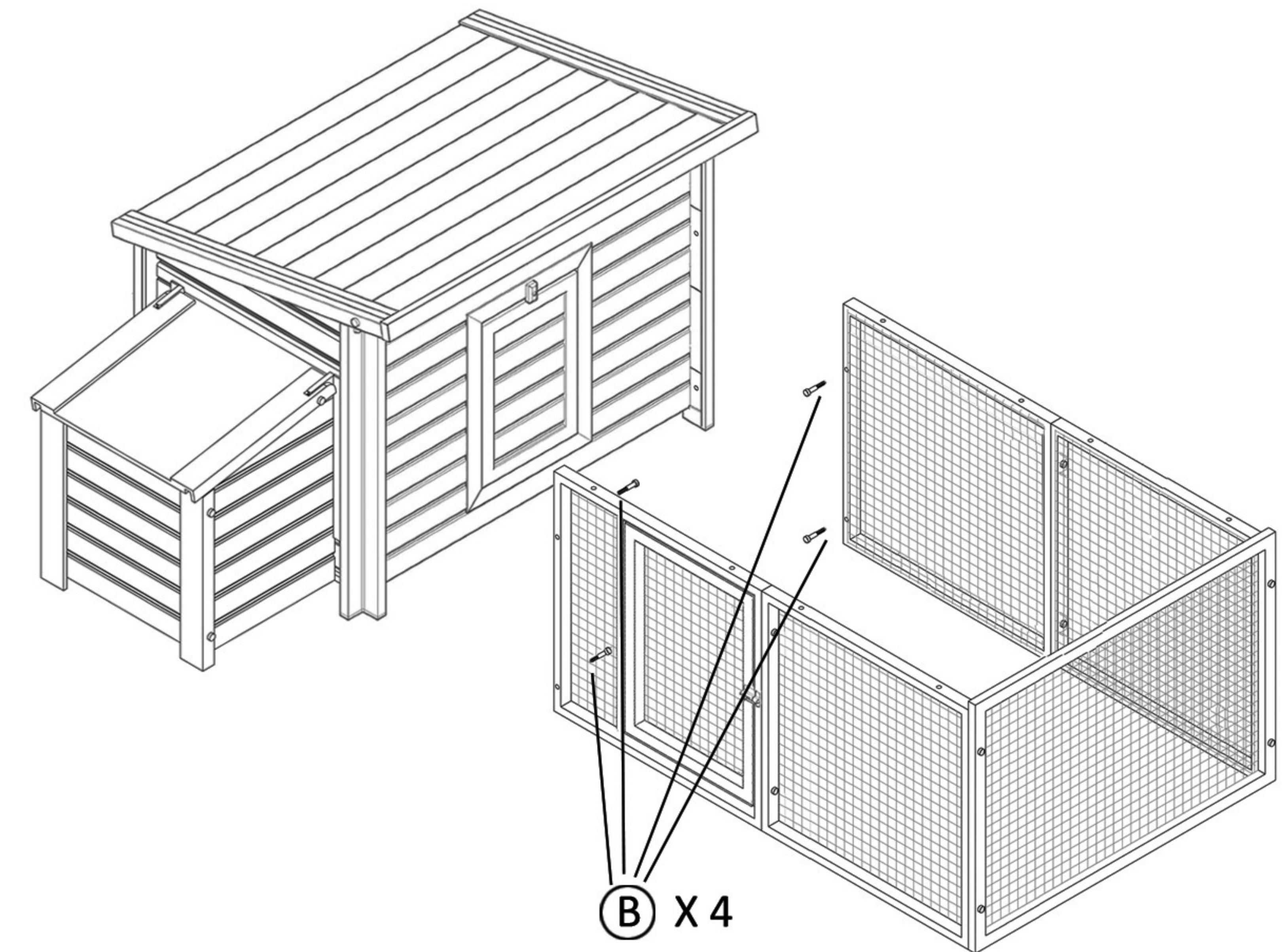
Step 1. In sequence, assemble Panels P1, P2, P3 & P4 using Thumb Screws (A) & Nuts (D). Attach Panel P5 – with the gate – to P4 using Thumb Screws (C). *Note: make sure that the remaining pre-drilled holes in these Panels are facing up as shown in the illustration.*



Step 2A. (To attach the Pen to Fontana Chicken Barn, skip this step and go to Step 2B). For using the Pen as a free standing unit, attach Panel P8 to the structure using Thumb Screws (B).



Step 2B. To attach the Pen to the Fontana Chicken Barn, slide the assembled structure into position between the upright columns on the barn. The Pen fits inside the uprights. Secure the Pen to the Bar using Thumb Screws (B), which screw into the nuts that are pre-installed into the barn panels.



Step 3. Place Top Panels P6 & P7 on the assembled structure and secure with Thumb Screw (A) and Nut (D). Use Thumb Screw (C) for the hole right above the gate in Panel P5.

